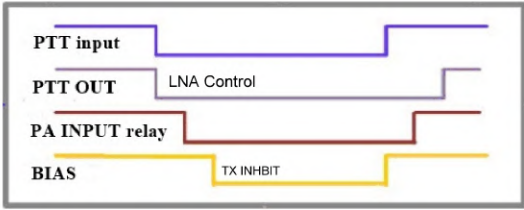
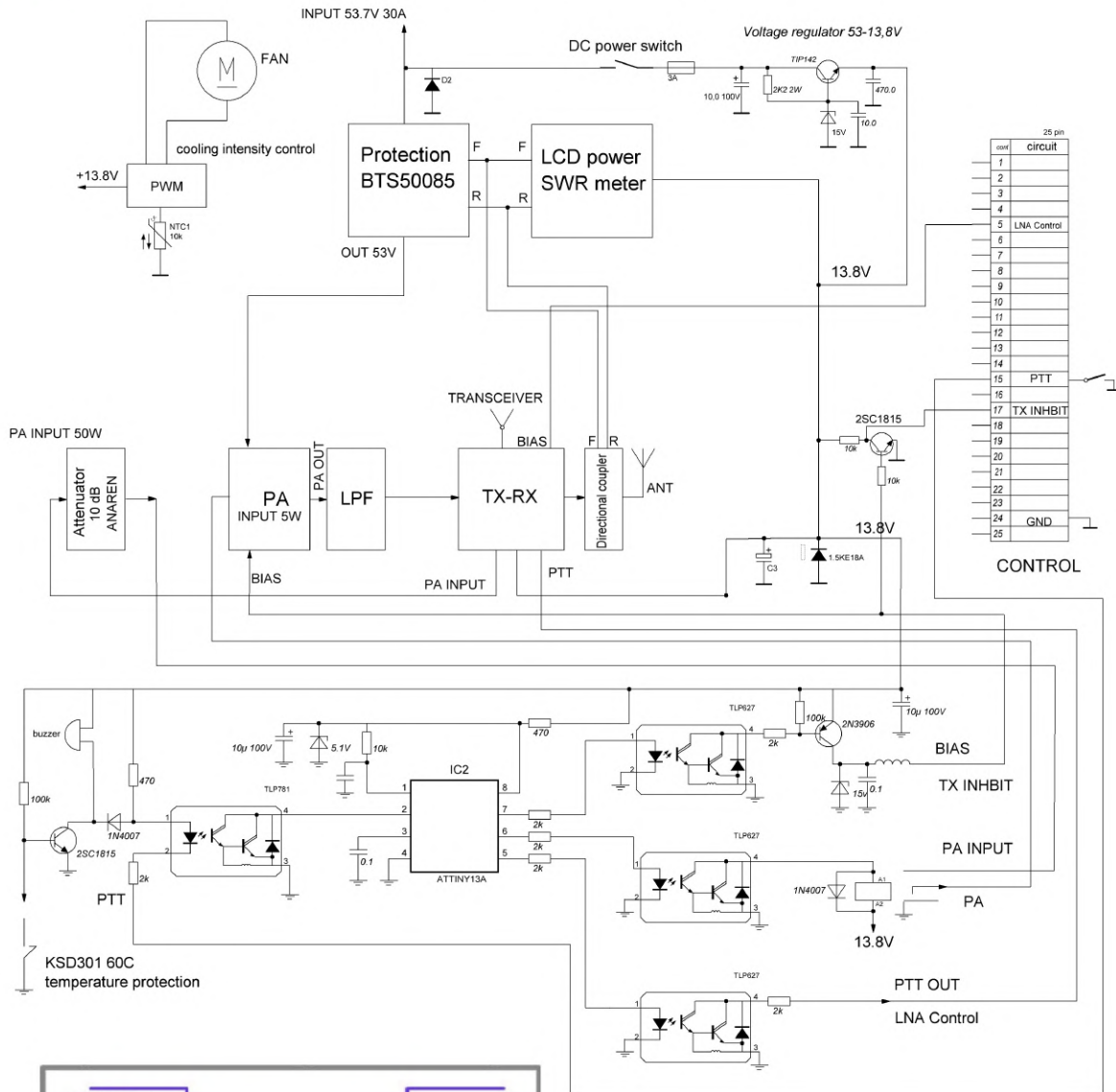
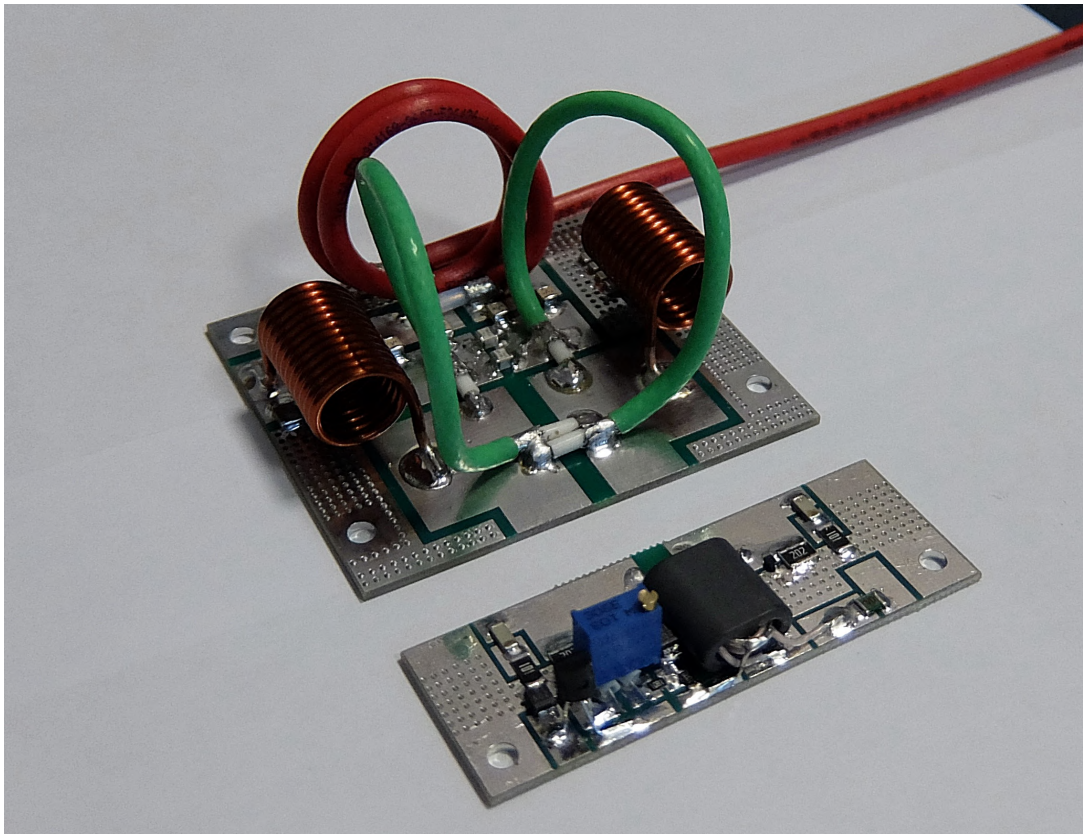


KIT VHF 2m power amplifier LDMOS 144-148 MHz 1000W

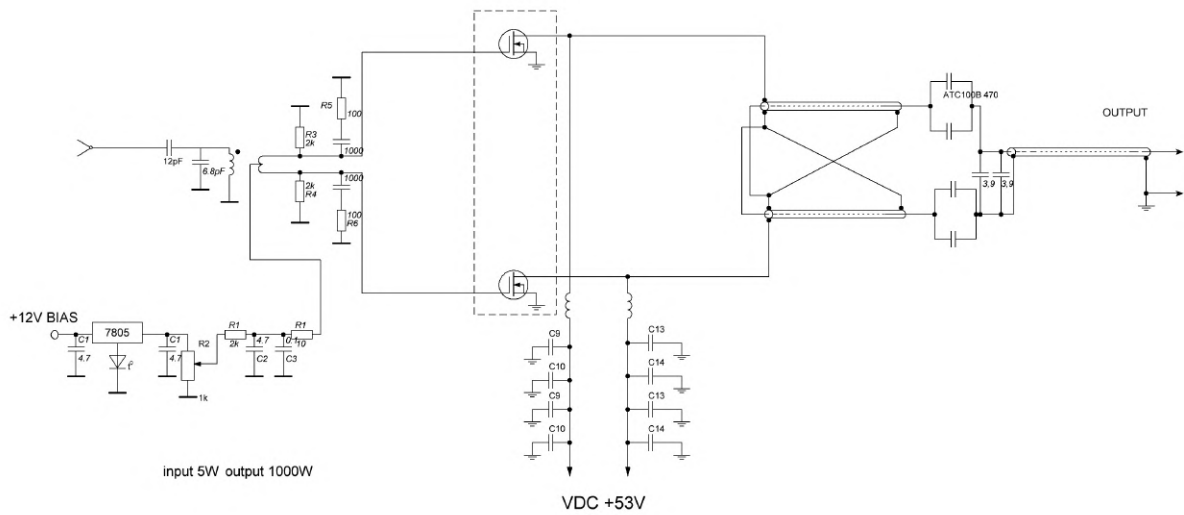
✓ VHF power amplifier 1000W output 144-148 MHz MRF1K50 input power 50W

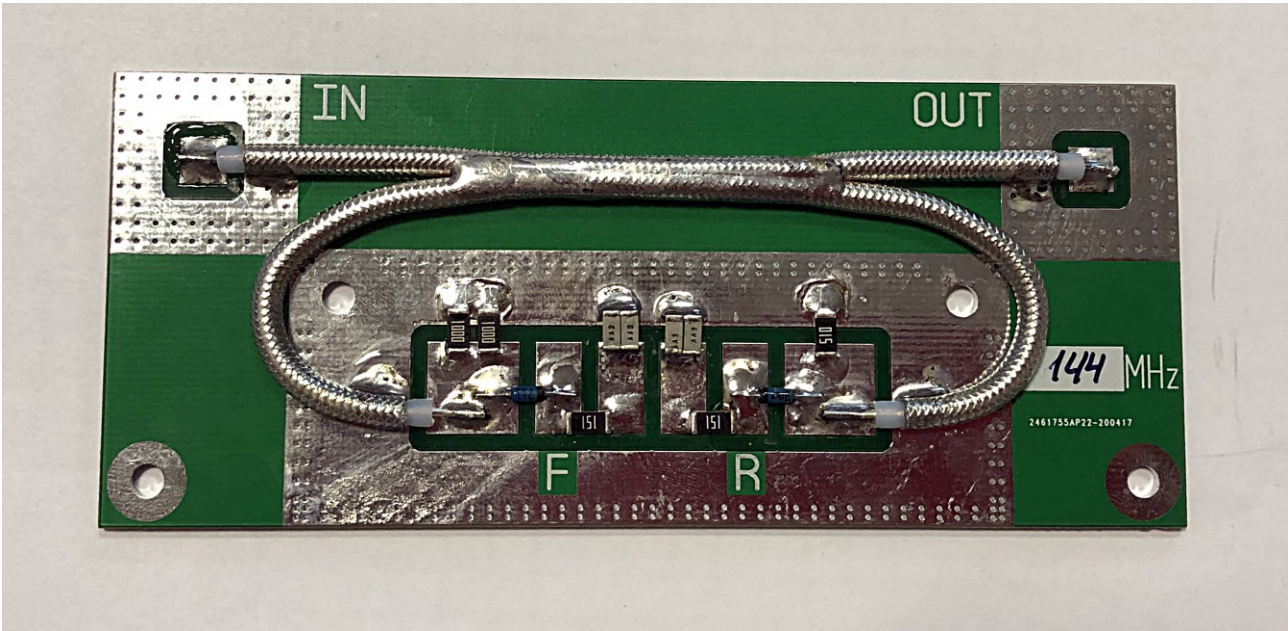


each interval is 50 milliseconds

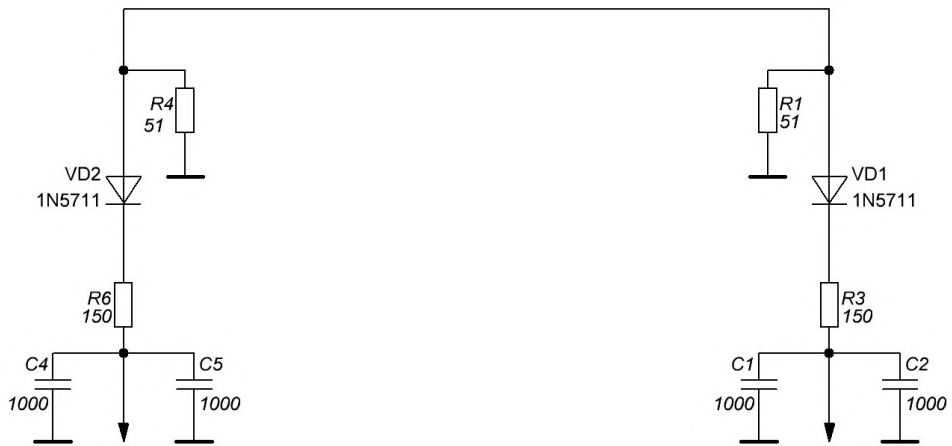
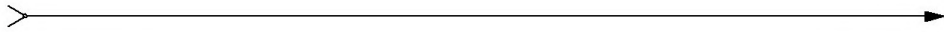


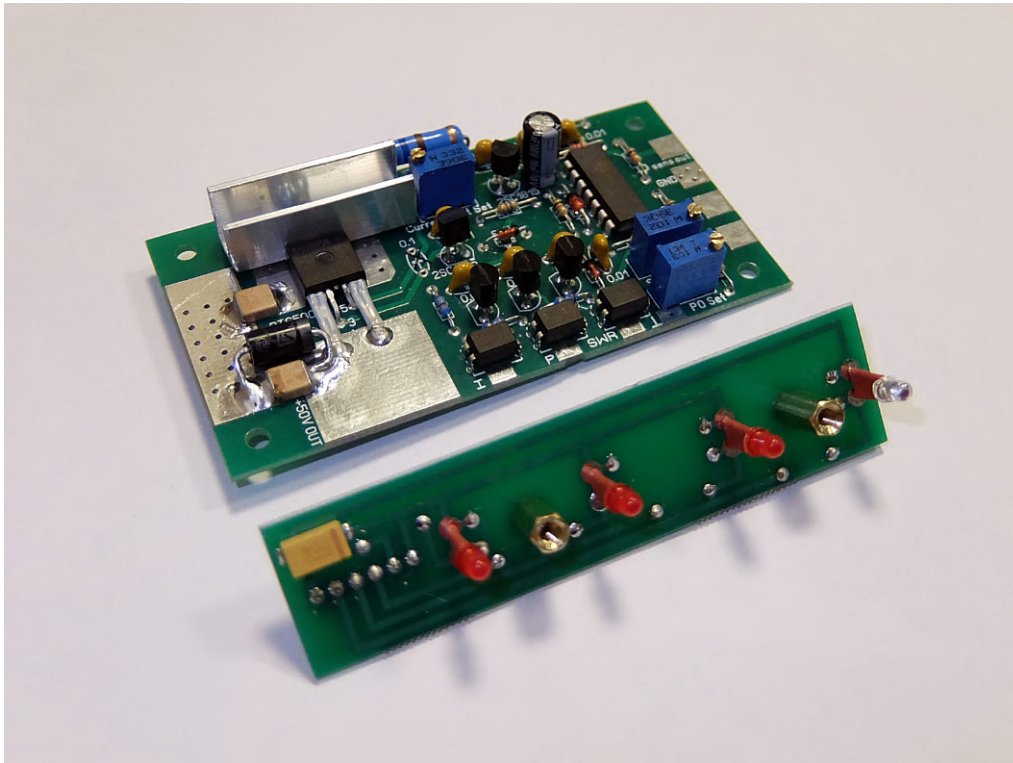
✓ PA 144-148 MHz 1000W output



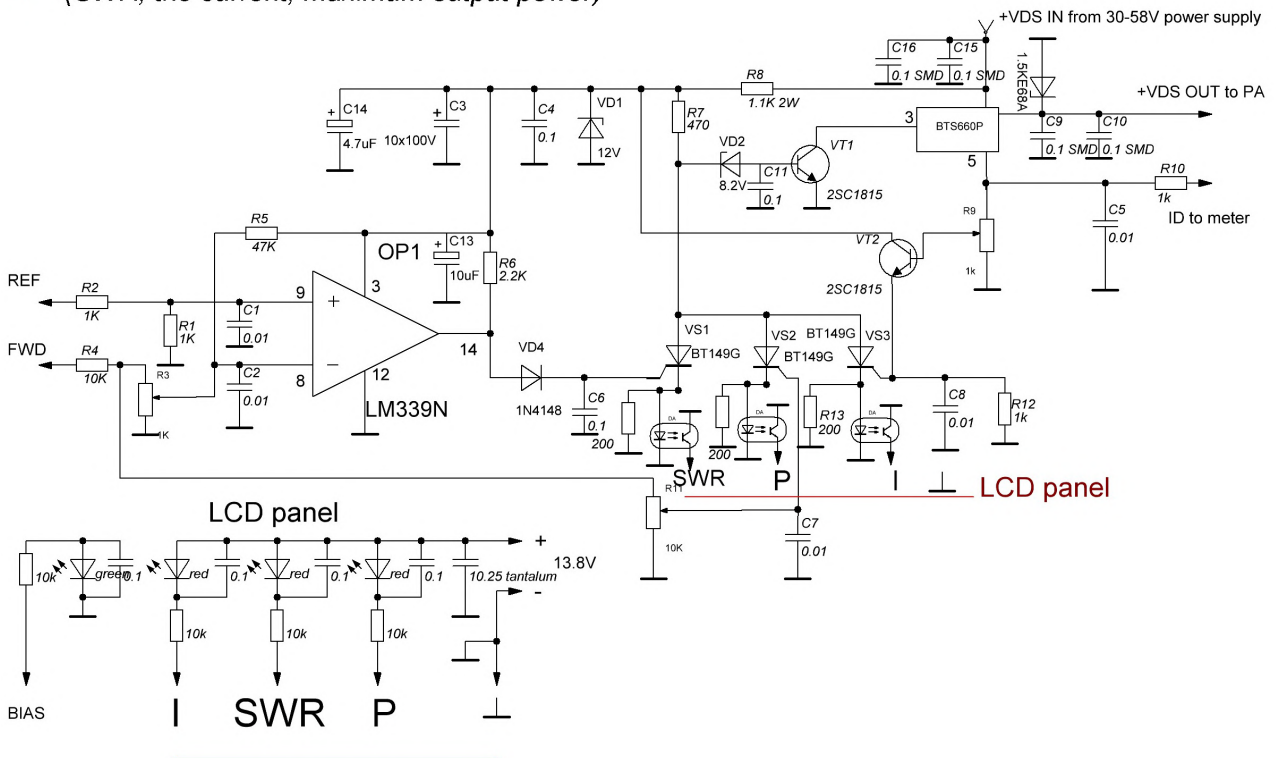


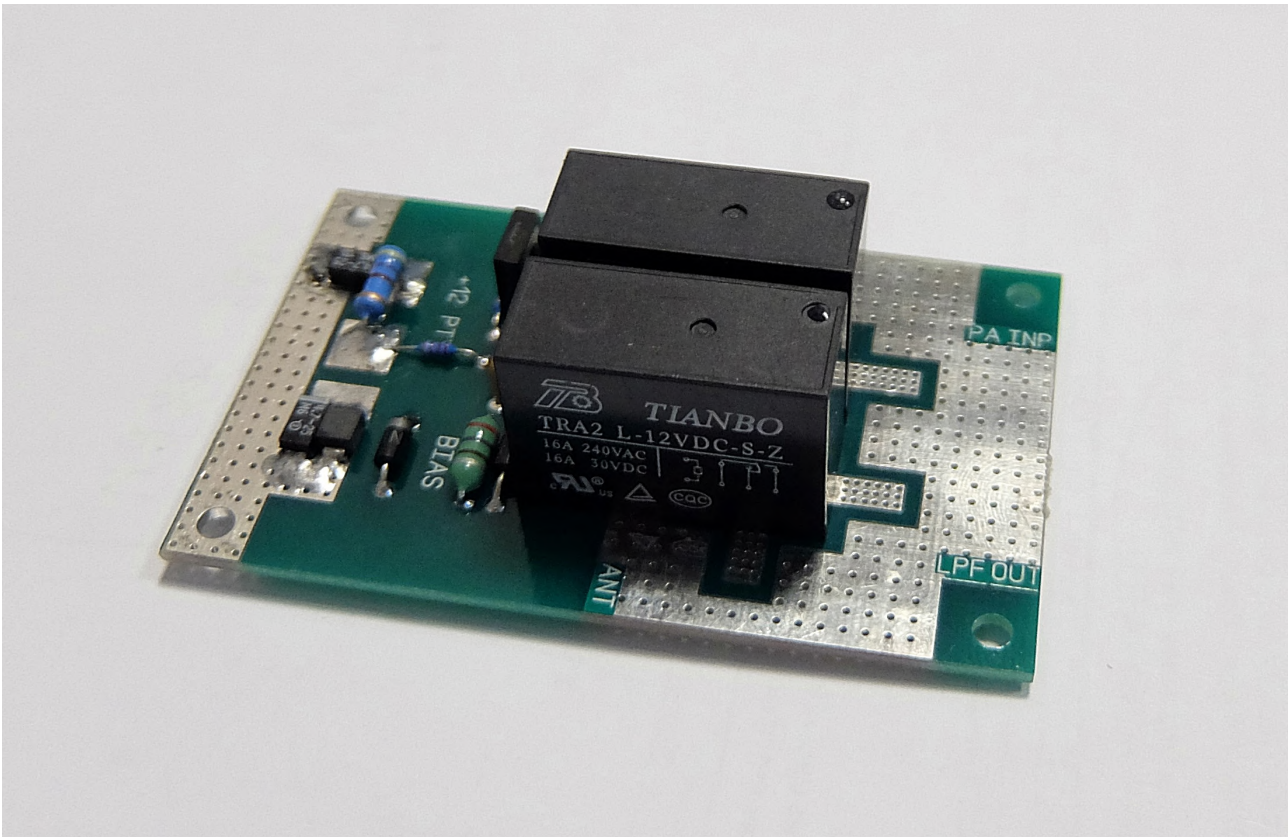
✓ Directional coupler bridge



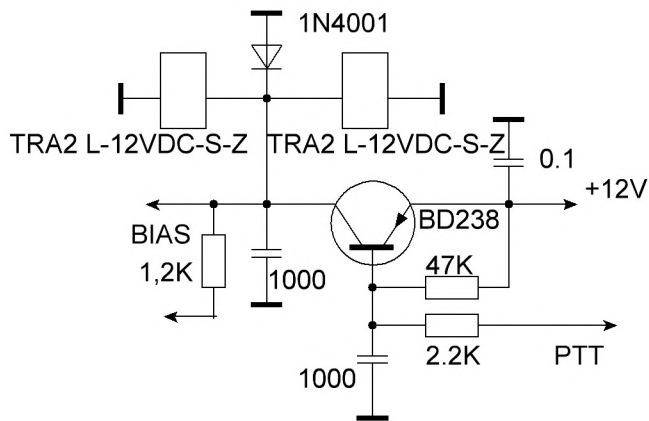
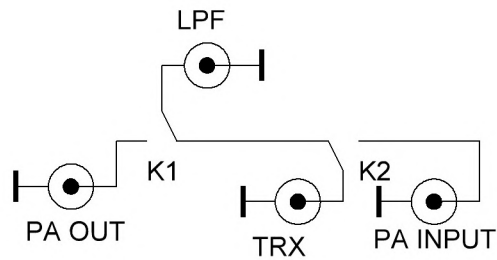


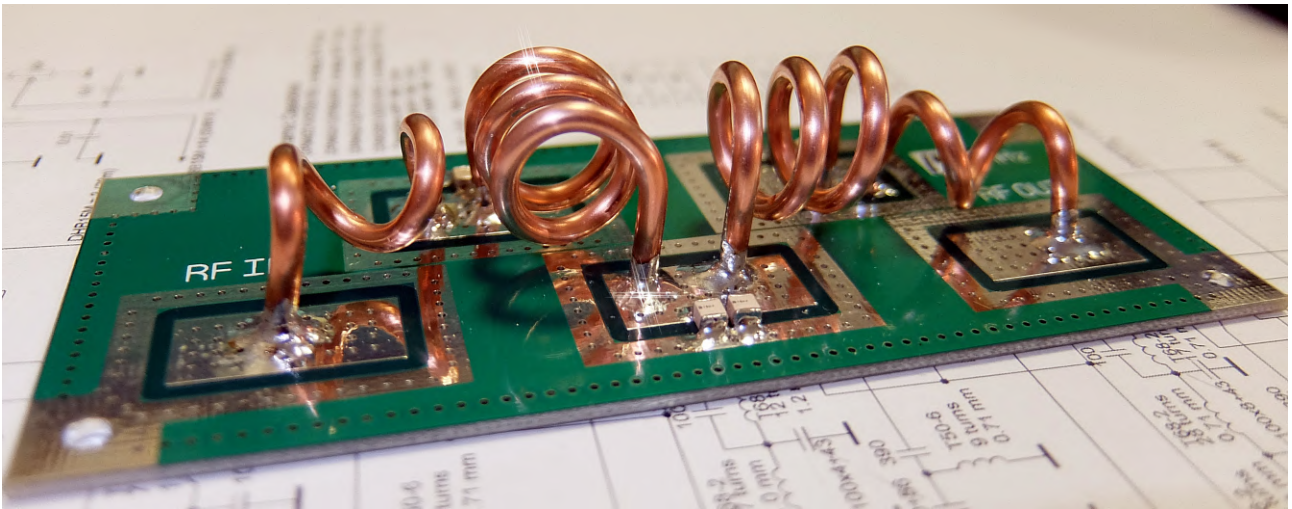
✓ Smart High Current DC Switch with protection triggers for power amplifiers
 (SWR, the current, maximum output power)



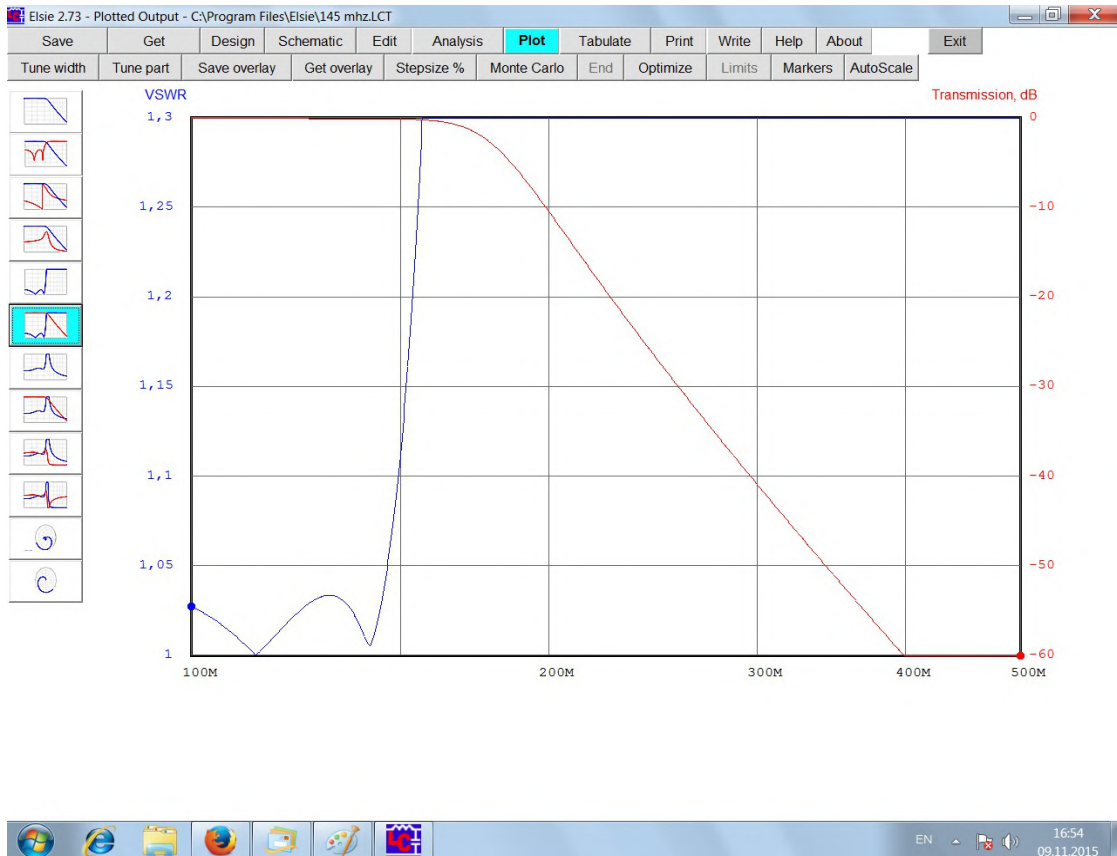
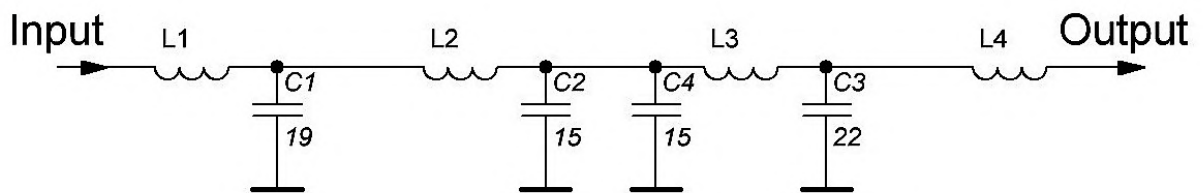


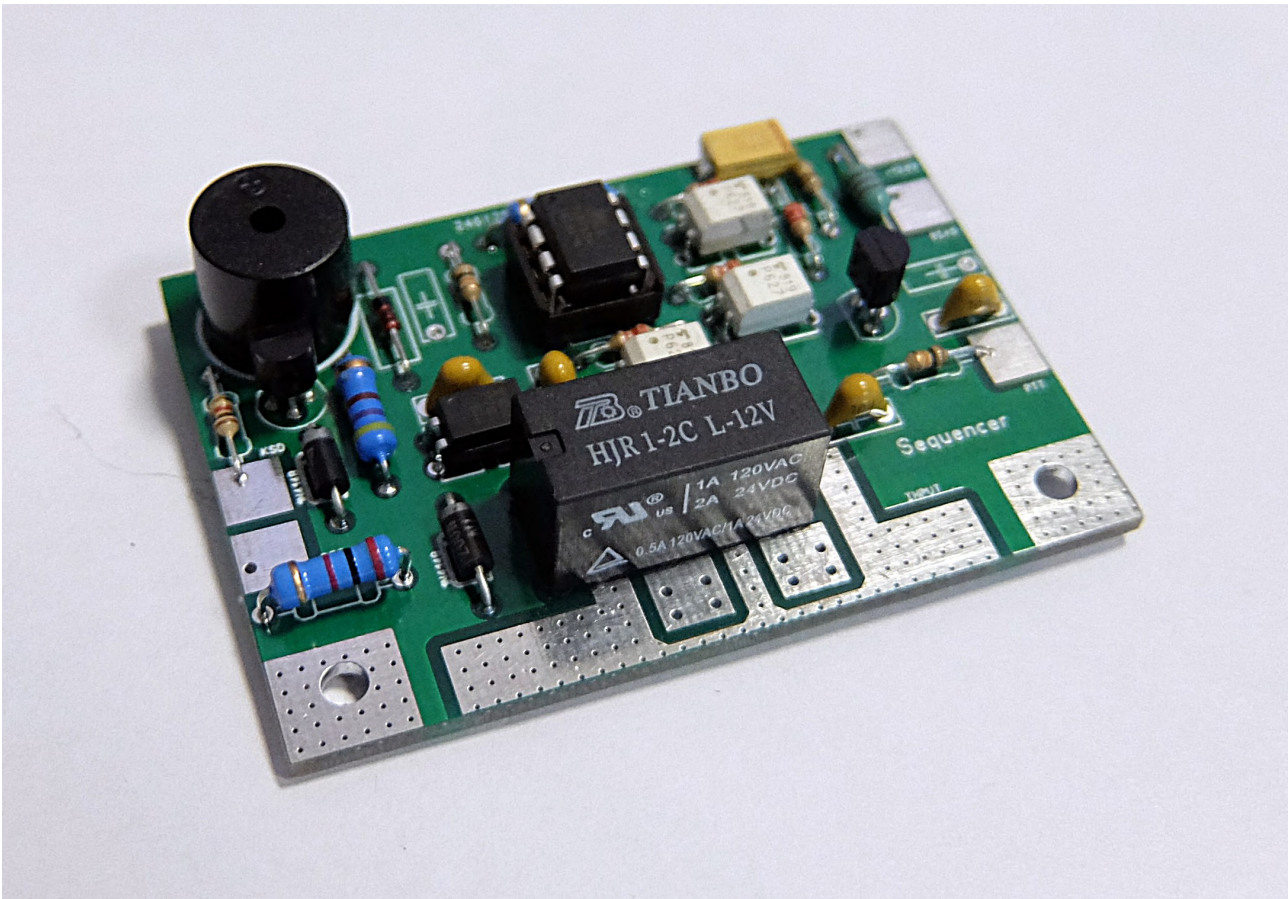
✓ VHF 50-148 MHz TX-RX unit (PTT board)



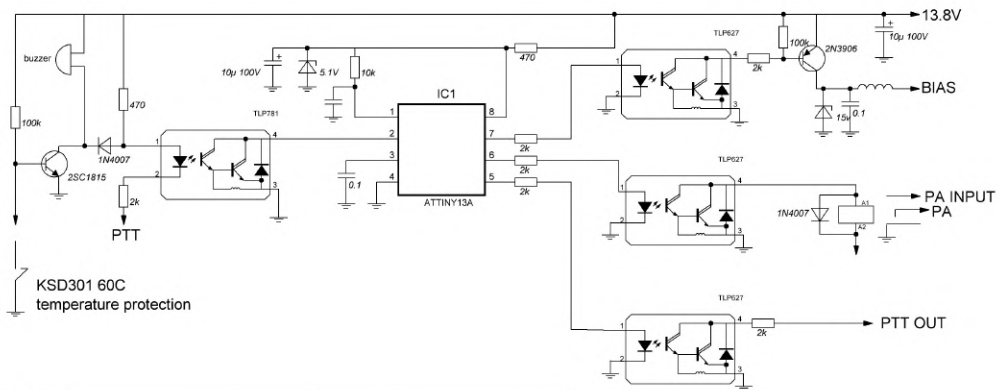


✓ Low pass filter 144-148 MHz





V SEQUENSER



each interval is 50 milliseconds

R3KR

✓ LCD power and SWR meter

R ant = 50 Ohm
по прошивке
со входом в меню

