

eb104.ru™

User's manual

**Transistor linear
50-54 MHz power amplifier 1000 W**

Contents

Introduction	3
Precautions for use with the	3
Functional features of the amplifier	4
Characteristics of the amplifier	4
Front Panel Description	6
Description of the rear panel	6
Connecting the control cable	7
EB500 Power Amplifier Protection Circuits	7
Application	9
Warranty	11

Introduction

Before using the Power Amplifier, carefully read this manual and other documentation that came with your amplifier. This will allow you to reduce the risk of failure of this product. This is transistor linear 50-54 MHz power amplifier designed for use with amateur radio stations. Distinctive features of the amplifier:

- instant availability for operation;
- compact size, light weight;
- no need to replace components due to wear;
- increased service life;
- lack of high voltage in the high-frequency part;
- the ability to automate operation.

Operating Precautions

For the power amplifier to work properly, you must follow some precautions:

- **The operation of the amplifier without an appropriate electrical grounding system is required;**
- If possible, organize the chassis grounding of the radio-transmitting device, which will ensure the most efficient and stable operation of all the equipment of the amateur station, and will reduce the level of possible interference and RF interference; ground all station equipment to a common ground.
- If the protection systems of the amplifier are repeatedly activated, it is necessary to stop the operation of the amplifier until the causes of the emergency shutdown are eliminated. Multiple tripping of protection systems can damage expensive LDMOS transistors;
- Do not drop, or damage the case, or allow foreign objects inside - this may lead to the failure of the electronic components of the power amplifier.
- Do not operate the power amplifier with the covers removed to avoid overheating of the device. The absence of covers disrupts the cooling system.

Functional Features of the Amplifier

The built-in potentiometers in the protection circuit and the BIAS voltage control circuit are set to the correct position during setup and testing of the equipment. Any change in the position of these potentiometers will result in the need to reconfigure the amplifier using accurate measuring instruments.

Before operating the power amplifier, it is necessary to connect a load equivalent of 50 ohms, minimum 1000 watts or a matched antenna with known low SWR to the output antenna connector. The operation of the amplifier without load negatively affects the operation of the output RF transistors.

To obtain an output power of 1000 watts, the input power level should be no more than 50 watts.

The amplifier is designed for an impedance of 50 ohms. If the antenna-feeder devices are matched to a resistance of 50 Ohms, and the SWR on all operating ranges does not exceed the value of 1.5 to 1, then the amplifier can be operated without additional coordination. If the SWR is greater than 1.5 to 1, then the use of additional matching devices is recommended.

In the output stage of the power amplifier, high-quality LDMOS transistors is used.

The use of high-linear transistor also allowed to obtain IMD3 -30 dBc.

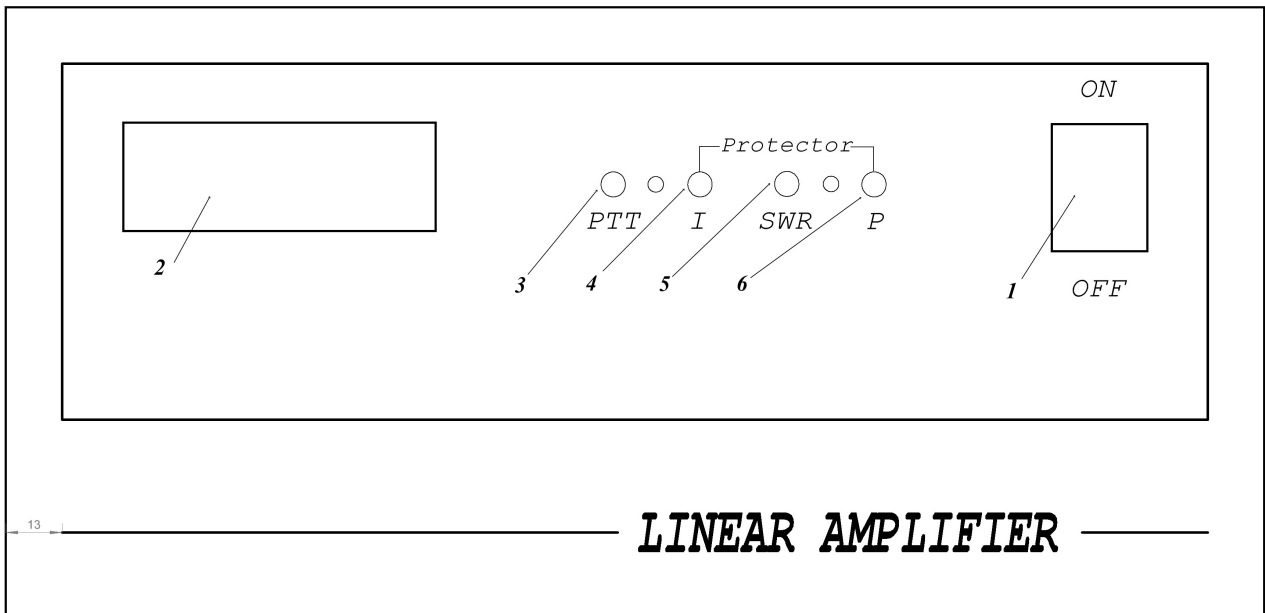
The process of switching the transmit-receive in the amplifier is provided by coaxial relays controlled by a digital sequencer on the TINY13A microprocessor, which allows you to control an external LNA, as well as control the transceiver by the TX INHBIT command.

The power amplifier is equipped with special high-speed protection circuits. For example, from excess of output power, high value of SWR in the antenna, high drain current of output transistors and overheating.

To control the operating parameters of the power amplifier, a digital measuring device is used, on which the output power level and the SWR value are displayed.

Frequency range	50-54 MHz
Types of radiation	SSB, CW, DIGI, RTTY
Input power	5-50 watts
output power	1000 W (SSB / CW, DIGI, RTTY)
Maximum SWR in the antenna	1.5: 1
Supply voltage	30 ... 53V
Consumption current	27A max (53V each)
Input impedance	50 ohm (unbalanced)
Output impedance	50 ohm (unbalanced)
Input / output connectors	UHF SO-239
Amplifier circuit	push-pull class AB
Output Stage Transistor	LDMOS
Dimensions - W x H x D (mm)	290x140x205
Weight (gr.)	4000

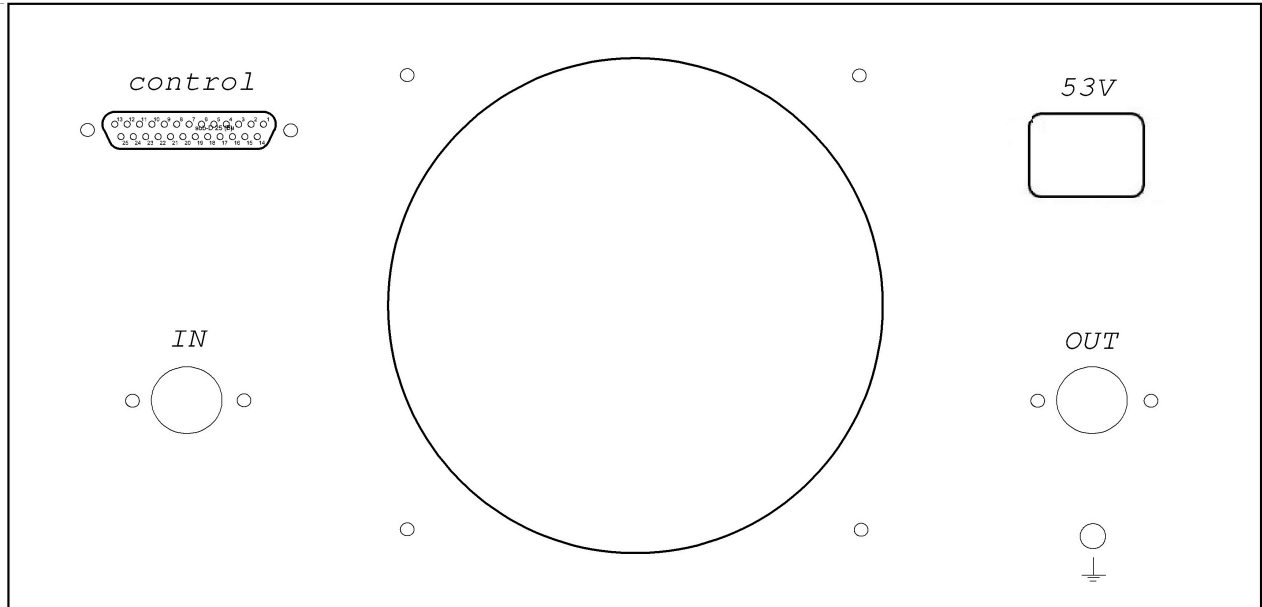
Front Panel Description



1. Key switch on and off the power amplifier.
2. Digital power indicator and SWR, temperature, intensity of the cooling fan.
3. Green LED - indicates transmission mode.
4. Over current protection indicator
5. Protection indicator for excess SWR
6. Protection indicator for exceeding the maximum permissible output power

Turn the amplifier off and on again to reset the protection circuit.

Back panel description



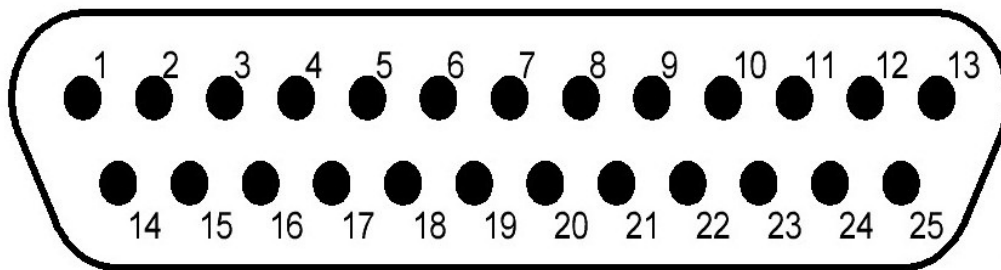
OUT - RF connector for connecting the antenna.

CONTROL - connector for PTT signal.

IN - connector for connecting a coaxial cable from the transceiver.

53V - connector for connecting a 30-53V power supply.

Control cable connection:



sub-D 25 (M)

5 pin – LNA Control

15 pin - PTT, connection to the housing enables transmission mode

17 pin – TX INHBIT

24 pin - GND, common wire.

Power Amplifier Protection Circuits

1. Overheat protection.

If the temperature of the transistor case exceeds + 70 ° C, the bimetallic thermal switch located on the transistor case will be triggered and transmission becomes impossible, until it cools down to + 65 ° C.

2. Protection against exceeding the maximum permissible output power.

If the output power level exceeds the permissible threshold, a protection will be activated that disconnects the power from the output transistors. The P LED lights up on the front panel. A power cycle is required to reset the protection.

3. Protection against high SWR.

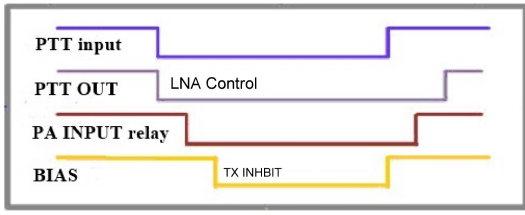
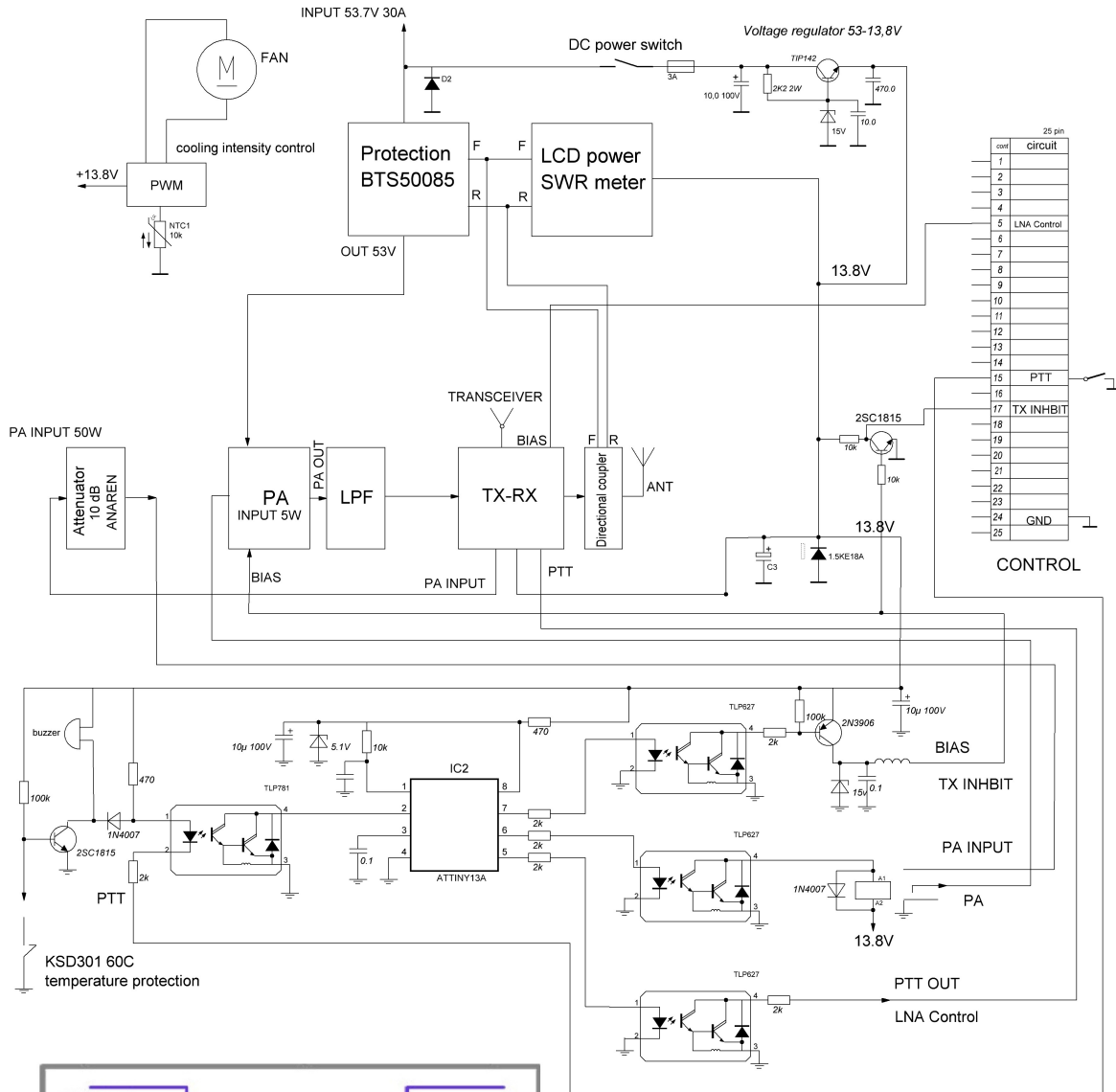
If the SWR in the load exceeds the value of 1.5: 1, then the protection system will trigger. The SWR LED on the front panel lights up. To reset the protection, turn off the power. In case of protection operation, we recommend checking the SWR antenna and feed line. Insure feed line and connectors are adequate for handling 1000 watts

4. Protection against exceeding the maximum permissible current.

If the current value of the output transistors exceeds the permissible threshold, a protection will be activated that disconnects the power from the output transistors. The LED I on the front panel lights up. To reset the protection, turn off the power.

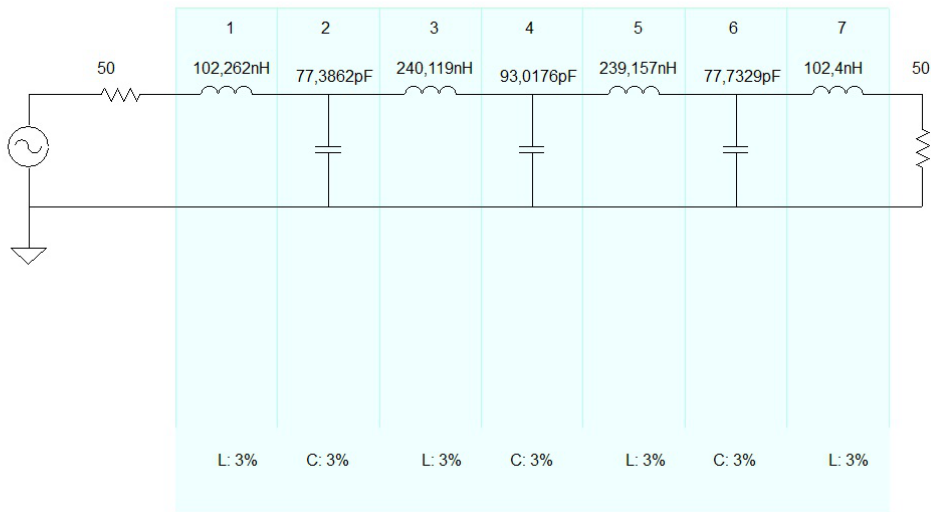
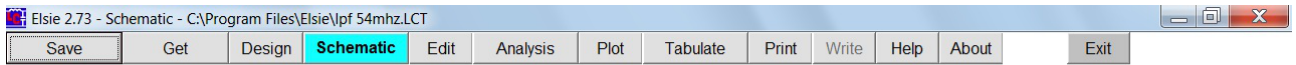
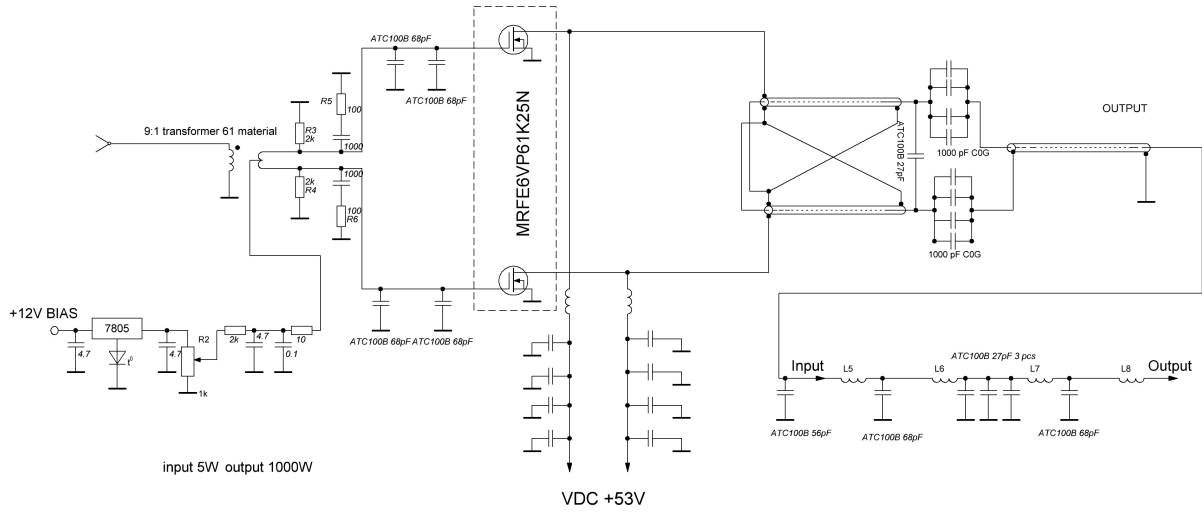
Application

✓ VHF power amplifier 1000W output 50-54 MHz input power 50W



each interval is 50 milliseconds

✓ PA 50 MHz 1000W output



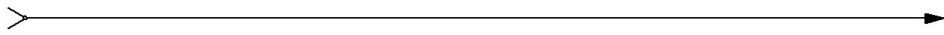
Design data:
Bandwidth: 55M
Family: Manual entry

Q values:
Inductors: 250
Capacitors: 1000

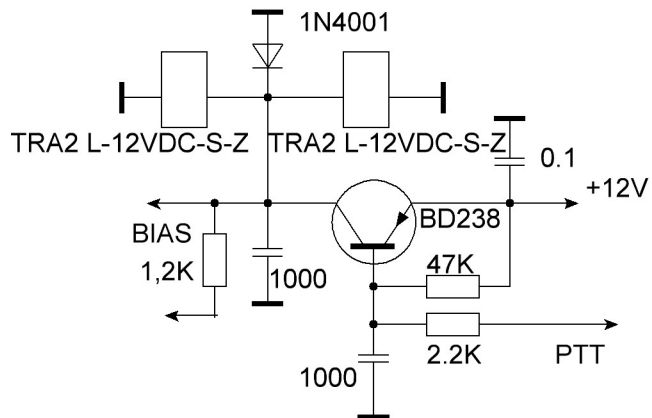
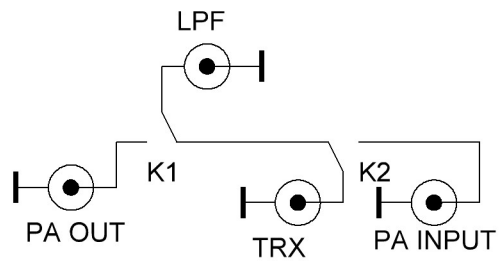
Maximum / minimum ratios:
Capacitors: 1,202
Inductors: 2,3481

Schematic display mode
Normal - unbalanced
Balanced - floating

✓ Directional coupler bridge



✓ VHF 50-148 MHz TX-RX unit (PTT board)



Typical circuit for switching on an external LNA (not included in the power amplifier)

